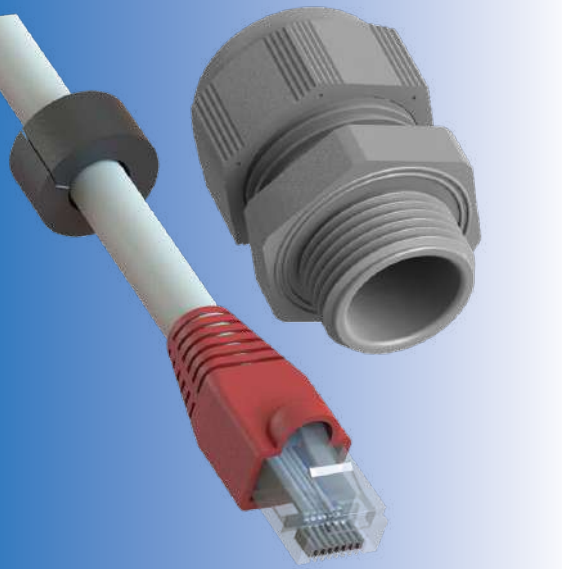


# RJ 45 Glands Polyamide




## Cable glands for RJ 45 cables

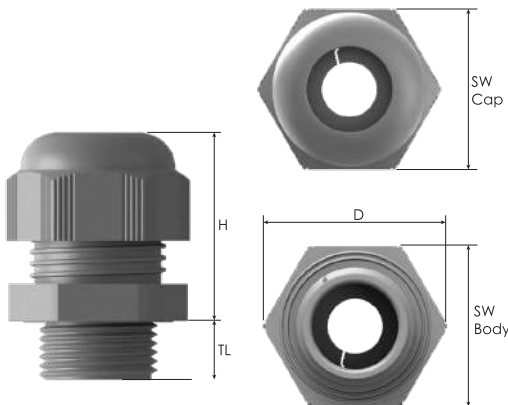
- For standard industrial applications using data cables with pre-assembled RJ 45 connectors.
- Easy assembly: 1- feed connector through cable gland 2- assemble splitted seal around cable 3- insert seal into gland body 4- install cable gland 5- tighten cap.
- High quality strain relief and sealing, reliable performance for standard industrial applications.

### Technical Details

<b>Material</b>	<b>Body, Cap</b>	PA 6 (Polyamide 6)	
	<b>Seal</b>	CR (Chloroprene)	
<b>Ingress Protection Rating</b>	IP 68 - 5 Bar, 30 min		
<b>UL Environmental Rating</b>	TYPE 1, 4X acc. to UL 50E		
<b>Flammability</b>	V2 according to UL94		
<b>Operating Temperature</b>	<b>Permanent</b>	-20 °C to +100 °C	
	<b>Intermittent</b>	-30 °C to +150 °C	
<b>Thread Type</b>	<ul style="list-style-type: none"> <li>• Metric EN 60423</li> <li>• NPT ANSI B1.20.1</li> <li>• PG DIN 40430</li> <li>• Other thread types also available upon request.</li> </ul>		
<b>Cable Type</b>	Non armoured, with pre-assembled RJ 45 connector.		
<b>Accessories</b>	<ul style="list-style-type: none"> <li>• Lock nuts</li> <li>• Dome plugs</li> <li>• Gaskets (Washers)</li> </ul>		
	<ul style="list-style-type: none"> <li>• In compliance with DIN EN 62444.</li> <li>• We recommend the use of lock nuts and gaskets to ensure IP rating for rough surfaces or through holes.</li> <li>• Accessories must be ordered separately.</li> </ul>		
<b>Remarks</b>			

Approvals	Certificate Number	Standards
	E199260	UL541B UL50E CSA22.2 No 18.3-12 CSA22.2 No 94.2-15

For details of approvals see our webpage.



### Thread Type **METRIC** acc. to EN 60423

Outer Thread Size (Male)	Cable Range	Outer Thread Length	Spanner Width		Outer Ø	max. Height	Part Number		
			Cap	Body			RAL 7035 light grey	RAL 7001 grey	RAL 9005 black
M20x1,5	3,0 - 6,0	10,0	27	27	30,9	31,9	BMRJ-13	BMRJ-03	BMRJ-23
	3,0 - 6,0	15,0	27	27	30,9	31,9	BMRJ-15	BMRJ-05	BMRJ-25
M25x1,5	3,0 - 6,0	8,0	29	29	32,5	37,7	BMRJ-EN-13	BMRJ-EN-03	BMRJ-EN-23
	3,0 - 6,0	15,0	29	29	32,5	37,7	BMRJ-EN-13L	BMRJ-EN-03L	BMRJ-EN-23L
	3,0 - 6,0	10,0	33	33	37,2	38,4	BMRJ-16	BMRJ-06	BMRJ-26
	3,0 - 6,0	15,0	33	33	37,2	38,4	BMRJ-17	BMRJ-07	BMRJ-27

### Thread Type **PG** acc. to DIN 40430

Outer Thread Size (Male)	Cable Range	Outer Thread Length	Spanner Width		Outer Ø	max. Height	Part Number		
			Cap	Body			RAL 7035 light grey	RAL 7001 grey	RAL 9005 black
PG 16	3,0 - 6,0	10,0	27	27	30,9	31,9	BSRJ-15	BSRJ-05	BSRJ-25
PG 21	3,0 - 6,0	11,0	33	33	37,2	38,4	BSRJ-16	BSRJ-06	BSRJ-26

### Thread Type **NPT** acc. to ANSI B1.20.1

Outer Thread Size (Male)	Cable Range	Outer Thread Length	Spanner Width		Outer Ø	max. Height	Part Number		
			Cap	Body			RAL 7035 light grey	RAL 7001 grey	RAL 9005 black
NPT 1/2"	3,0 - 6,0	15,0	27	27	30,9	31,9	BNRJ-15	BNRJ-05	BNRJ-25
NPT 3/4"	3,0 - 6,0	15,0	33	33	37,2	38,4	BNRJ-16	BNRJ-06	BNRJ-26